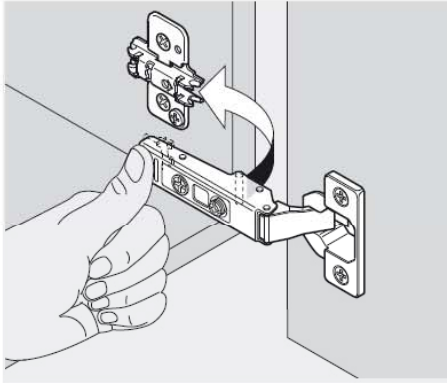
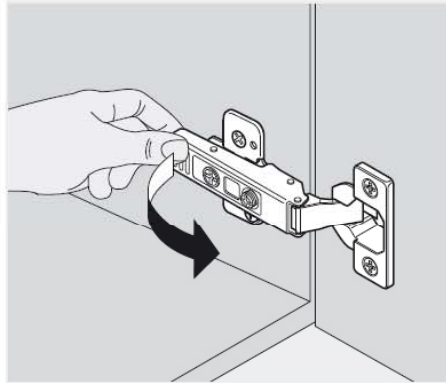


CLIP

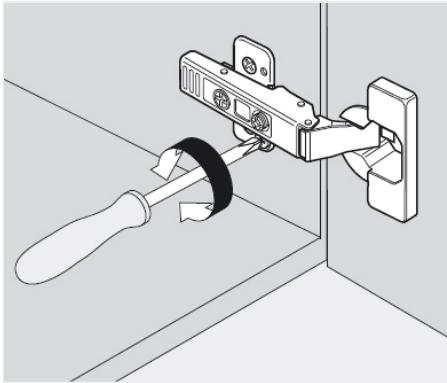


Assembly

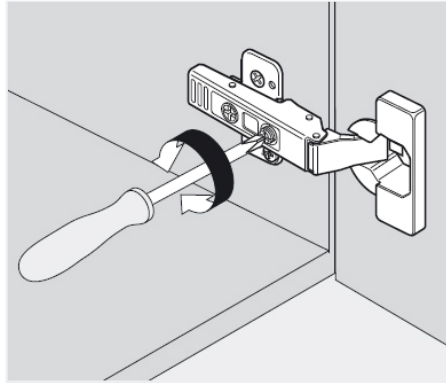


Removal

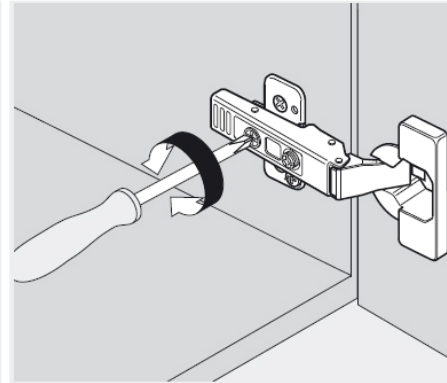
Adjustment



Height adjustment



Side adjustment



Depth adjustment